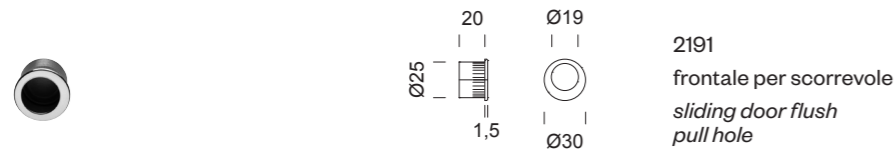


ginkgo tonda

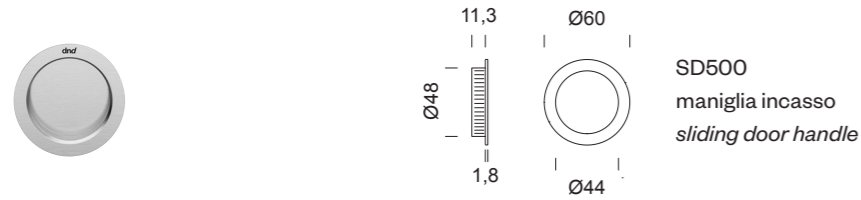
Ottone e zama
Brass and zamak

design:
Giulio lacchetti

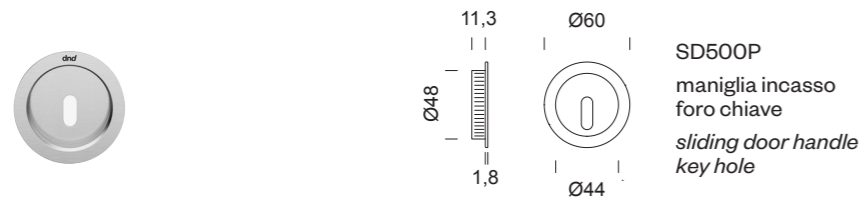
made in italy



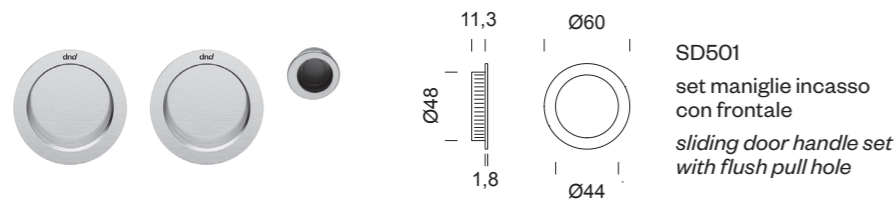
2191
frontale per scorrevole
*sliding door flush
pull hole*



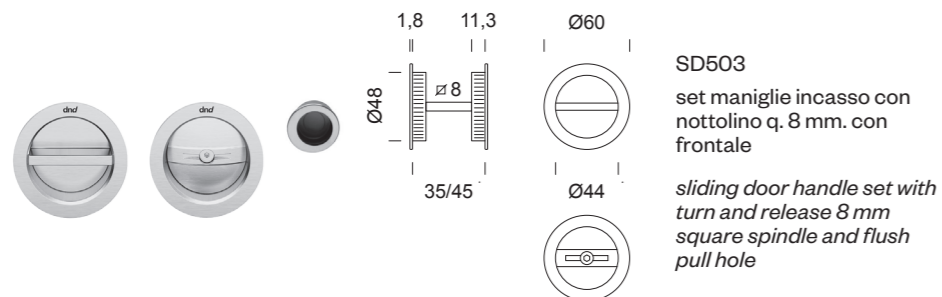
SD500
maniglia incasso
sliding door handle



SD500P
maniglia incasso
foro chiave
*sliding door handle
key hole*



SD501
set maniglie incasso
con frontale
*sliding door handle set
with flush pull hole*



SD503
set maniglie incasso con
nottolino q. 8 mm. con
frontale
*sliding door handle set with
turn and release 8 mm
square spindle and flush
pull hole*



ginkgo tonda

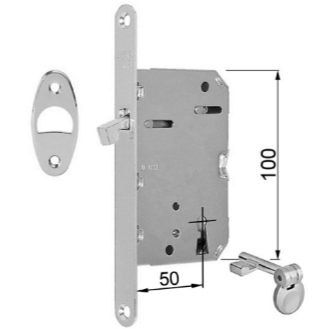
Ottone e zama
Brass and zamak

design:
Giulio lacchetti

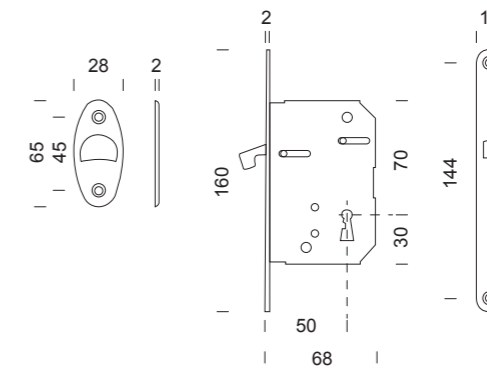
made in italy



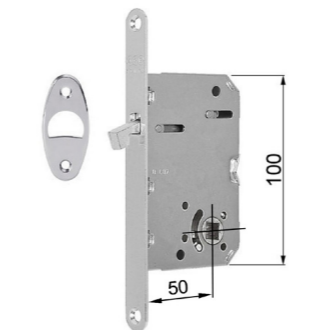
SD505
set maniglie incasso foro chiave con frontale +
serratura
*sliding door handle set key hole with
flush pull hole + lock*



SE107



SD506
set maniglie incasso con nottolino q. 8 mm con
frontale +serratura
*sliding door handle set with turn and
release 8 mm square spindle with flush pull hole +
lock*



SE108

