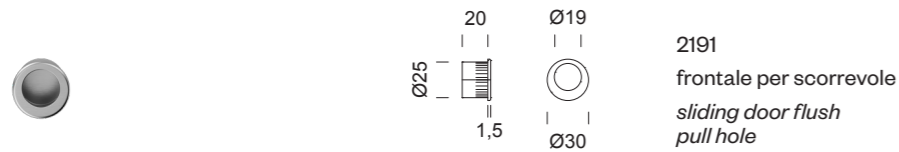


master tonda NEW

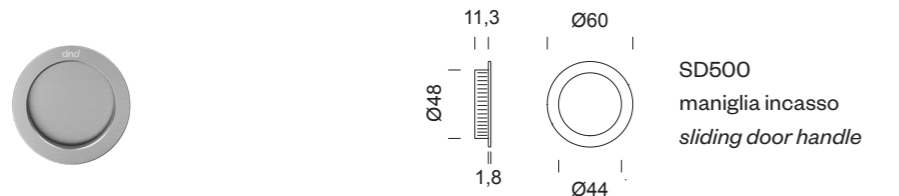
Ottone
Brass

design:
Dnd technical division

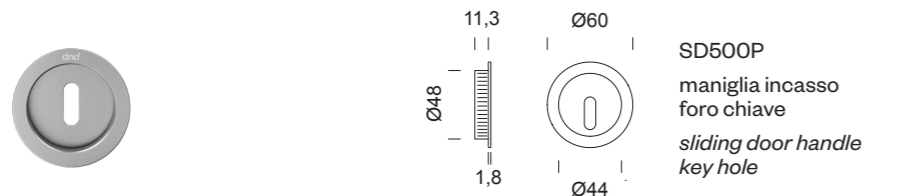
made in italy



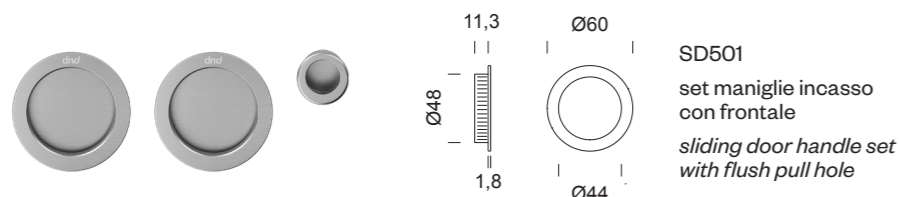
2191
frontale per scorrevole
*sliding door flush
pull hole*



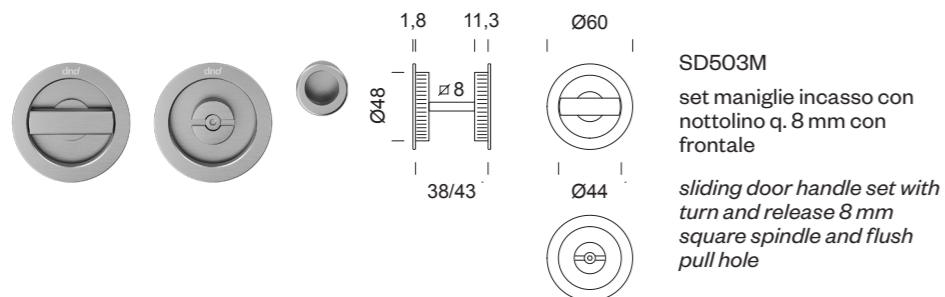
SD500
maniglia incasso
sliding door handle



SD500P
maniglia incasso
foro chiave
*sliding door handle
key hole*



SD501
set maniglie incasso
con frontale
*sliding door handle set
with flush pull hole*



SD503M
set maniglie incasso con
nottolino q. 8 mm con
frontale
*sliding door handle set with
turn and release 8 mm
square spindle and flush
pull hole*

- PVD-BG | forte®
- PVD-SG | forte®
- PVD-SCB | forte®
- PVD-SH | forte® new
- PVD-BB | forte® new
- PVD-SB | forte® new
- PGS | forte®
- PVX | forte®
- OLV
- OS
- AB
- OGH
- OC
- OCS
- ONS
- TAN
- OBN
- ONO

Su richiesta disponibile in tutte le finiture elencate a catalogo
On demand available in all finishes of Dnd catalogue

master tonda NEW

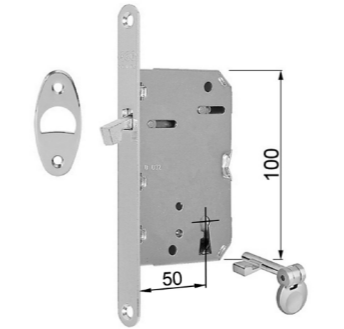
Ottone
Brass

design:
Dnd technical division

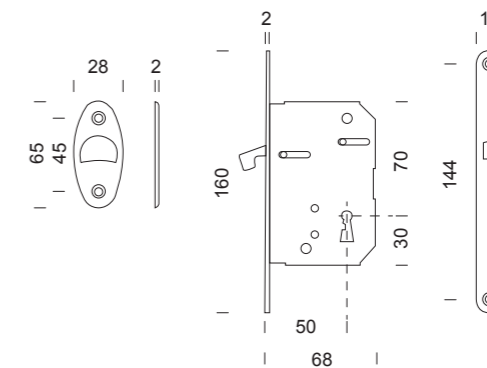
made in italy



SD505
set maniglie incasso foro chiave con frontale +
serratura
*sliding door handle set key hole with
flush pull hole + lock*



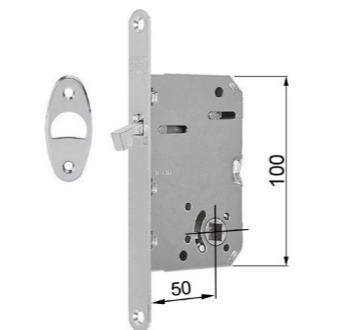
SE107



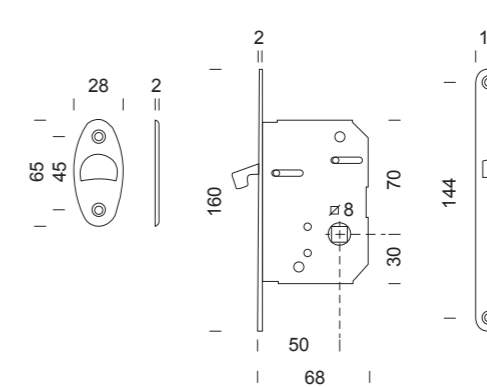
- PVD-BG | forte®
- PVD-SG | forte®
- PVD-SCB | forte®
- PVD-SH | forte® new
- PVD-BB | forte® new
- PVD-SB | forte® new
- PGS | forte®
- PVX | forte®
- OLV
- OS
- AB
- OGH
- OC
- OCS
- ONS
- TAN
- OBN
- ONO



SD506M
set maniglie incasso con nottolino q.8 mm con
frontale + serratura
*sliding door handle set with turn and
release 8 mm square spindle with flush pull hole +
lock*



SE108



Su richiesta disponibile in tutte le finiture elencate a catalogo
On demand available in all finishes of Dnd catalogue