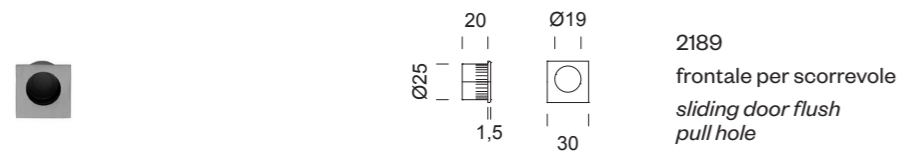


quadra

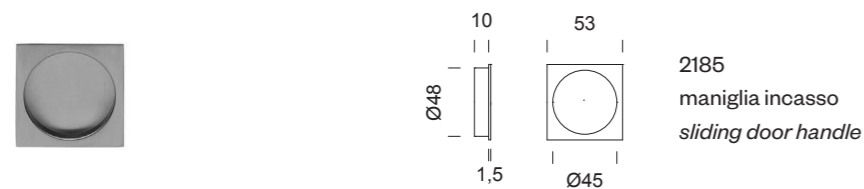
Ottone e zama
Brass and zamak

design:
Dnd technical division

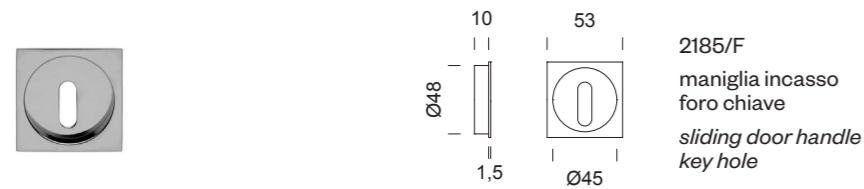
made in italy



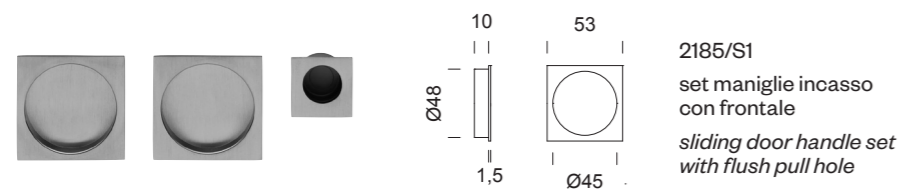
2189
frontale per scorrevole
*sliding door flush
pull hole*



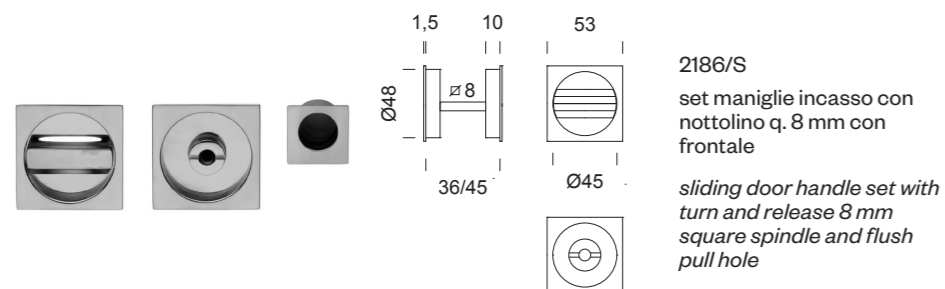
2185
maniglia incasso
sliding door handle



2185/F
maniglia incasso
foro chiave
*sliding door handle
key hole*



2185/S1
set maniglie incasso
con frontale
*sliding door handle set
with flush pull hole*



2186/S
set maniglie incasso con
nottolino q. 8 mm con
frontale
*sliding door handle set with
turn and release 8 mm
square spindle and flush
pull hole*

- OC**
- OCS**
- OBN new**
- ONO new**

quadra

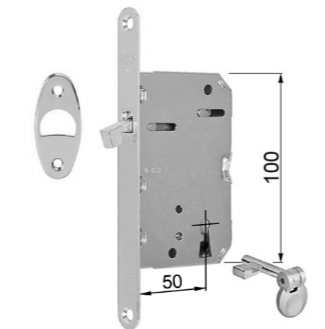
Ottone e zama
Brass and zamak

design:
Dnd technical division

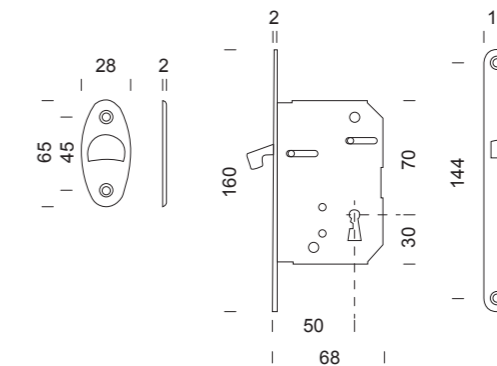
made in italy



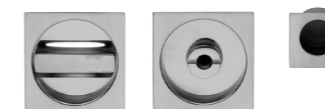
2185/SE107
set maniglie incasso foro chiave
con frontale + serratura
*sliding door handle set key hole with
flush pull hole + lock*



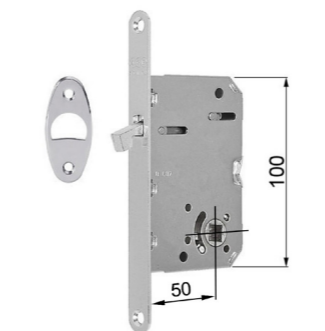
SE107



- OC**
- OCS**
- OBN new**
- ONO new**



2186/SE108
set maniglie incasso con nottolino q.8 mm con
frontale + serratura
*sliding door handle set with turn and
release 8 mm square spindle with flush pull hole +
lock*



SE108

